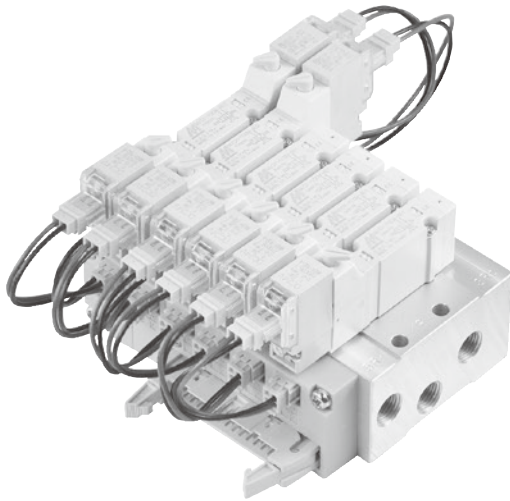


# MVB1-100 series

MULTI CONNECTOR SYSTEM (FLAT CABLE TYPE)

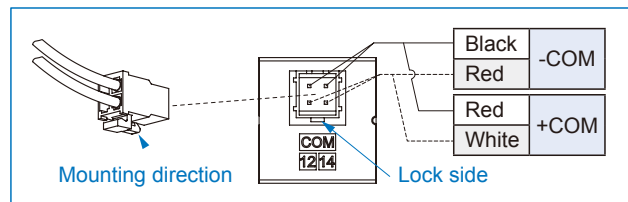


## Specification

- 26-Pin flat cable (cable length 3m).
- Simple electric wire system.
- Max. operating frequency: 5Hz.

## Remark

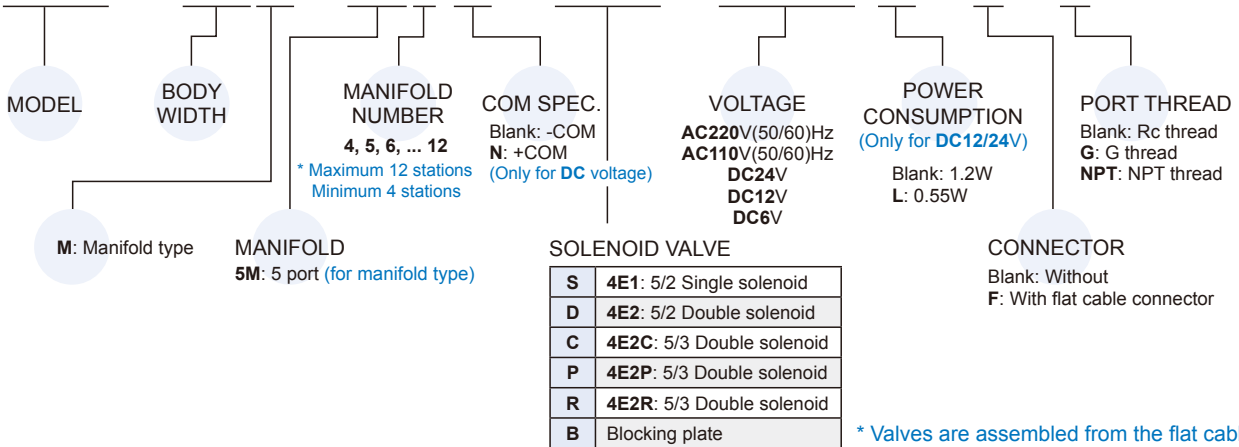
- Don't continuous energizing for about 2 hours or more.
- The total energizing time of a day don't exceeds the total non-energizing time even if it is intermittent energizing.
- Maximum 12 stations.  
Minimum 4 stations.
- For MVSY-100 series solenoid valve only (Only with LJ plug type).



- \* PLC type (PNP output) is applied to -COM.
- \* PLC type (NPN output) is applied to +COM.

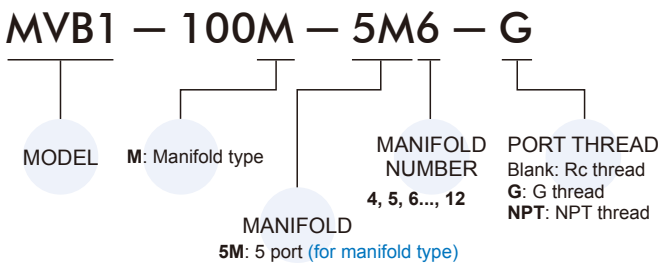
## Order example (Multi connector system)

MVB1 – 100M – 5M4 □ – SSSDC – AC110 □ – F – G



\* Valves are assembled from the flat cable side.

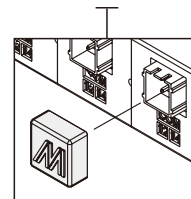
## Order example of circuit board and manifold



## Order example of protective plate

\* Use the same accessories with MVB-100.

MVB – 100 – P



## Order example of connector

MVB1 – 100 – F

F: Flat cable connector

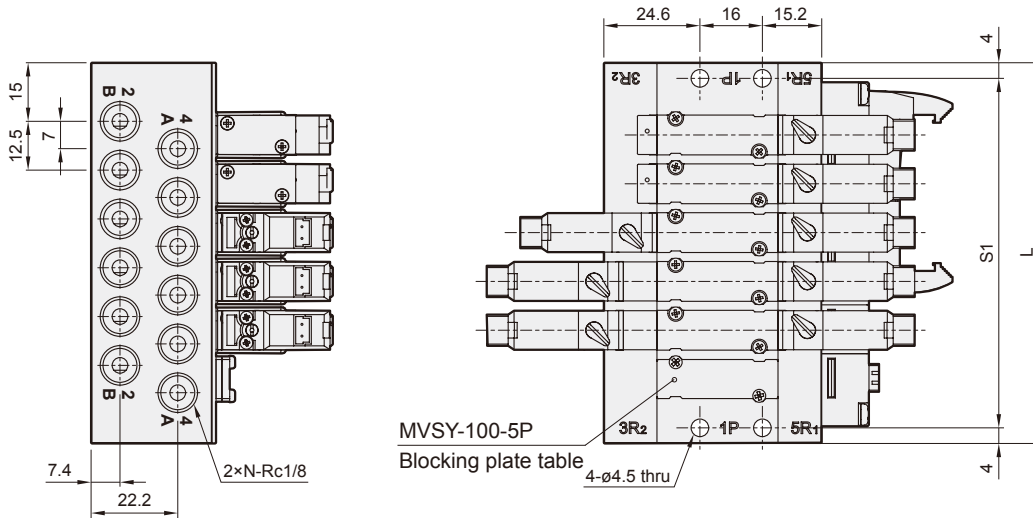
# MVB1-100 Dimensions

## MULTI CONNECTOR SYSTEM (FLAT CABLE TYPE)

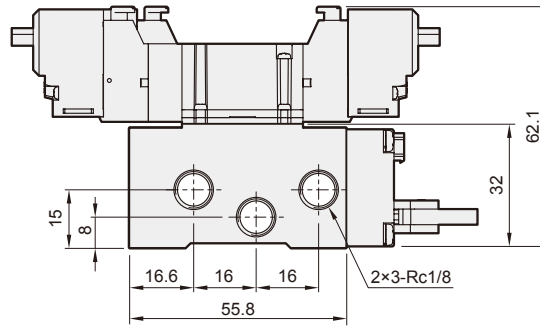


### MVB1-100M-5M\*

5 port (for manifold type)



No. of stations (N)	L	S1
4	72.5	64.5
5	85	77
6	97.5	89.5
7	110	102
8	122.5	114.5
9	135	127
10	147.5	139.5
11	160	152
12	172.5	164.5



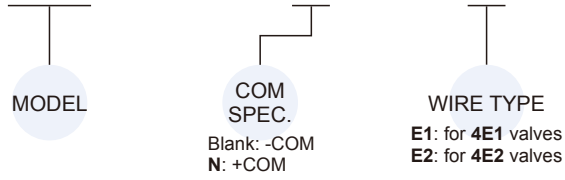
# MVB1-100 Order example of wire

## MULTI CONNECTOR SYSTEM (FLAT CABLE TYPE)



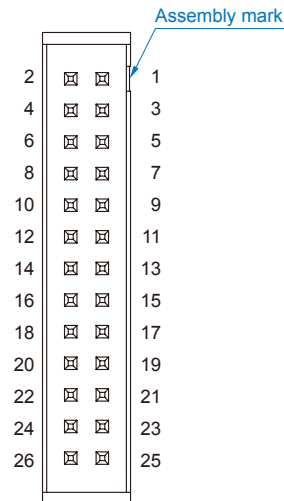
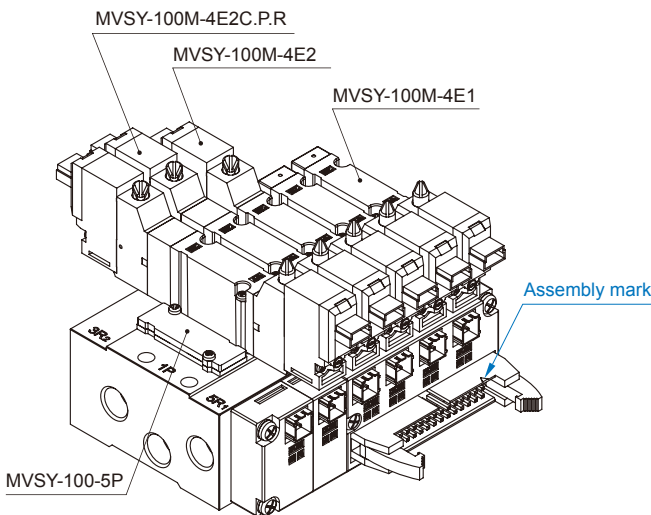
Order example of wire \* MVB-100, MVB1-100 and MVB-156 use the same accessories.

MVB — 100 — □ — WDE1

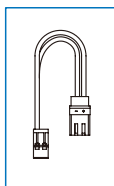


Pin No.	Coil No.
1	D-01
2	D-02
3	D-03
4	D-04
5	D-05
6	D-06
7	D-07
8	D-08
9	D-09
10	D-10
11	D-11
12	D-12
13	D-13
14	D-14
15	D-15
16	D-16
17	D-17
18	D-18
19	D-19
20	D-20
21	D-21
22	D-22
23	D-23
24	D-24
25	COM
26	COM

### 26 PIN



MVB-100-WDE1



MVB-100-WDE2

